

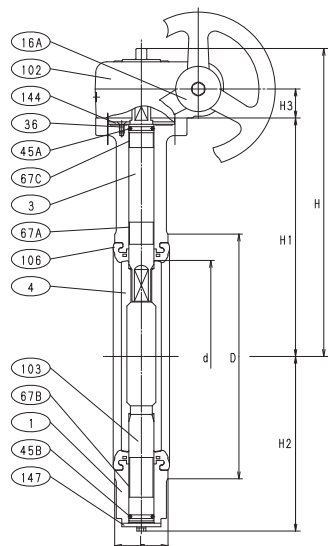
BUTTERFLY VALVES - 250 PSI

*NSF372 • Lug Design • Ductile Iron Body • Extended Neck
 Bi-Directional • Molded Seat • ISO Mounting Pad • Gear Operator
SIZE 10" - 12"

STANDARDS: MSS SP-67 & API-609 Cat. A

END CONNECTION: ANSI CL 125/150 FLANGES

WALL THICKNESS: KITZ STD



MATERIAL LIST		
NO.	NAME OF PART	SPECIFICATION
1	BODY	DUCTILE IRON (A536 Gr. 65-45-12)
3	STEM	STAINLESS STEEL (A276, Type 410; AISI, Type 329)
4	DISC	DUCTILE IRON, AL. BRONZE, AND 316 SS
16A/B	NAME PLATE	ALUMINUM
35	END PLATE BOLTS	CARBON STEEL
36	GLAND PLATE BOLTS	STAINLESS STEEL
45A/B	O-RING	NBR/EPDM
60	KEY (12")	CARBON STEEL
67A/B/C	STEM BEARING	METAL BACKED PTFE
99	SET BOLTS	CARBON STEEL
102	GEAR UNIT	
103	BOTTOM STEM	STAINLESS STEEL (A276, TYPE 410; AISI, Type 329)
106	SEAT RUBBER (2)	NBR/EPDM
144	GLAND PLATE	CARBON STEEL
145A/B	SPRING WASHER	CARBON STEEL
147	END PLATE	CARBON STEEL

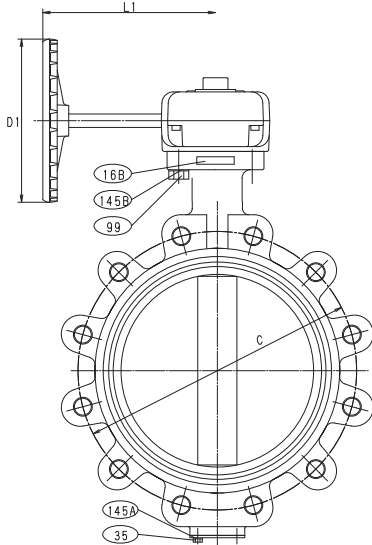
(1) Line scribed on top of the stem indicates the disc position
 (2) Vulcanized to the Body



Code # 6113 (B/E) G
 Disc: Ductile Iron
 (A536 + ENP)

Code # 6123 (B/E) G
 Disc: Aluminum Bronze*
 (C95400)

Code # 6133 (B/E) G
 Disc: 316 SS*
 (A351 Gr. CF8M)



DIMENSIONS												
SIZE	d	D	C	H	H1	H2	L	D1	L1	Wafer	Lug	
										Lbs	Lbs	
										Kgs	Kgs	
in.	10	9.72	12.28	14.25	15	11.97	8.62	2.69	9.84	9.84	59.5	81
mm	250	247	312	362	381	304	219	68.3	250	250	27.0	37.0
in.	12	11.65	14.33	17.00	15.98	12.95	9.61	3.06	9.84	9.84	77.2	106.6
mm	300	296	364	432	406	329	244	77.7	250	250	35.0	48.0

For gear operator details, refer to page 24.

NOTE:

KITZ lug style butterfly valves are rated for bi-directional dead end service to full working pressure of the valve with the downstream flange removed. In dead end service exceeding 96 hours, a downstream flange is recommended.



*Butterfly valves with AlBrz or SS disc conform with lead content requirements for "lead free" plumbing as defined by California, Vermont, Maryland, and Louisiana state laws and the U.S. Safe Drinking Water Act. These products further conform with the requirements of NSF/ANSI Standard 372.